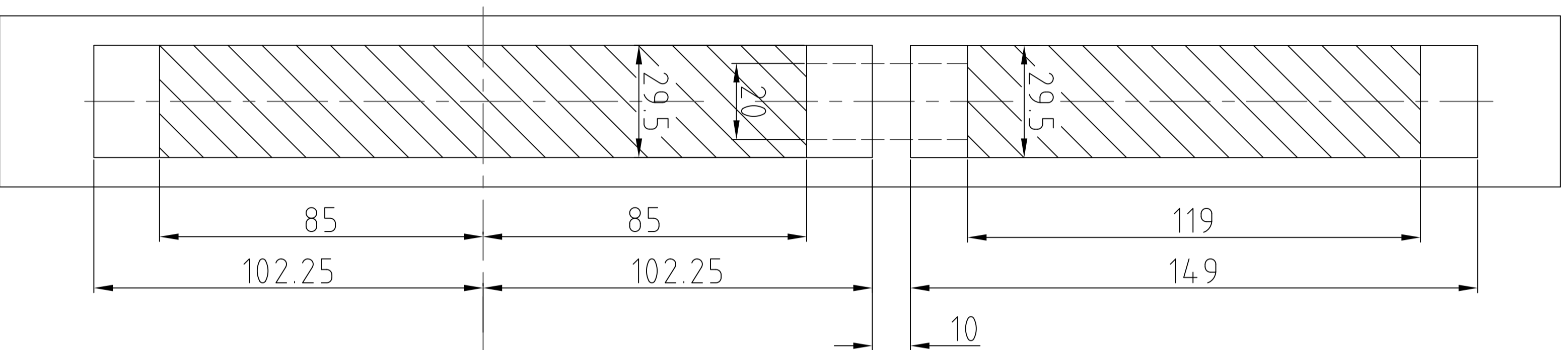
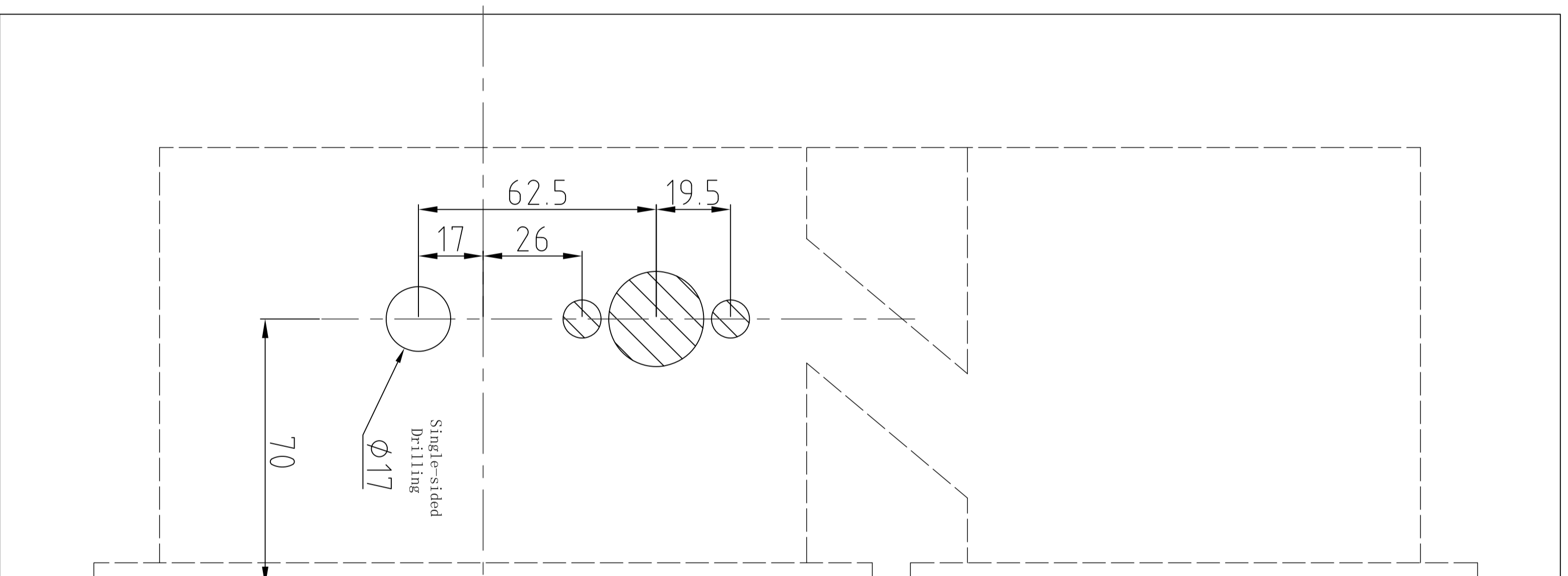


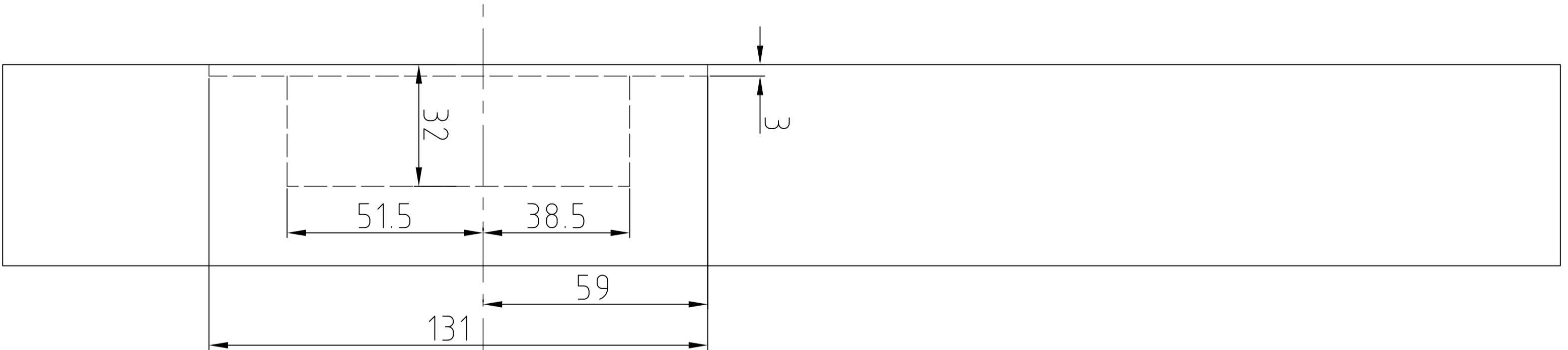
**Door Part**



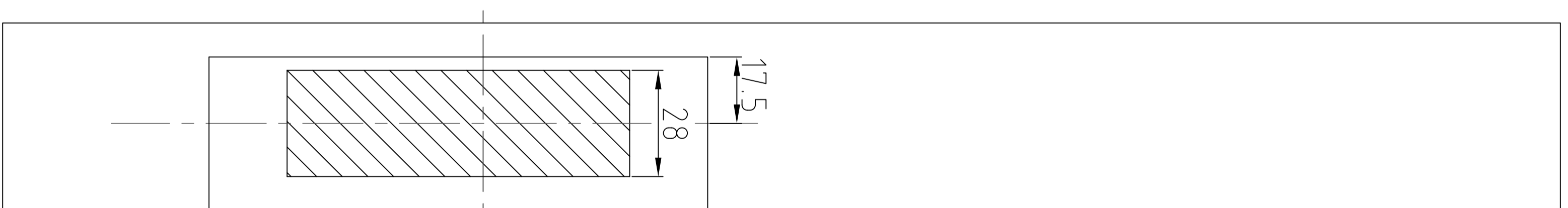
**Strike**



**Door Part**



**Door Frame**



**Door Frame**

**Dimension  
Datum Line**

- Note:**
1. The continuous thick line parts are to be drilled, pls refer to the picture dimensions.
  2. Centerline of lock body is the dimension datum line.
  3. Dimension unit: mm.
  4. The carmine dot line part is lock body, the continuous thin line part is door part.

Hole Drilling Sketch		Models: S3074-S3074A Drilling-Right	
Drawer		Models: M01E Mortise with Square	
HeChang		strike plate	
Assessor		Orbita Technology Co.,LTD	
		2020-04-17	