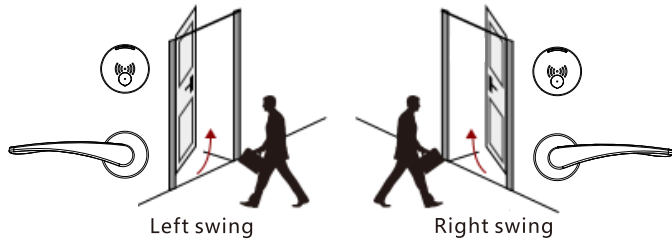
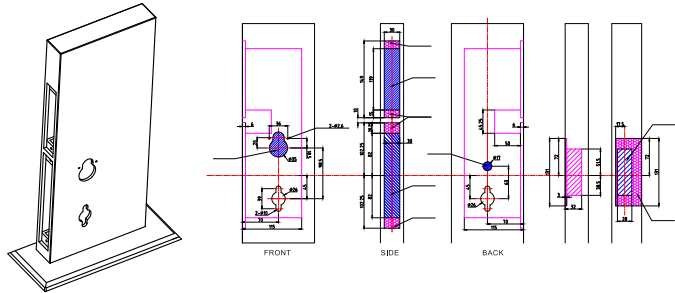


Installation Steps

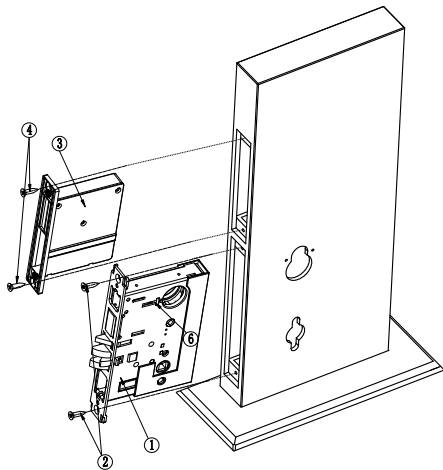
1. Please choose the correct door lock in accordance with the door swing direction



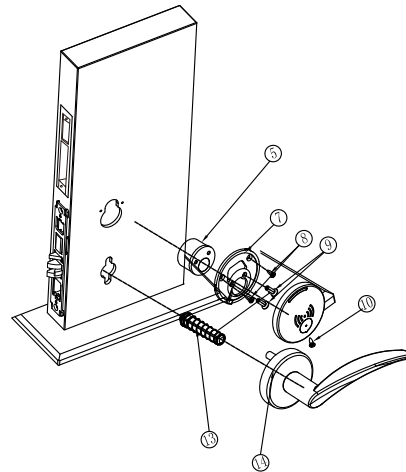
2. Drill holes using the cardboard cutout provided



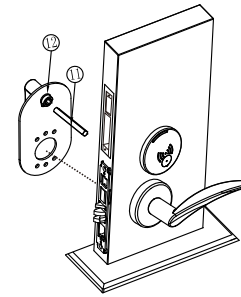
3: Install the lock body and battery box, Lock with screws.



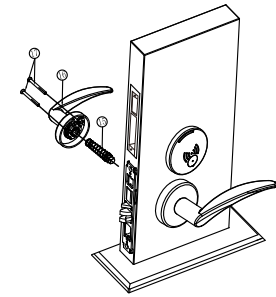
4: Install the Cylinder and front panel base and lock them with corresponding screws, Install front panel and Sensing panel, Lock the Cylinder as ⑥.



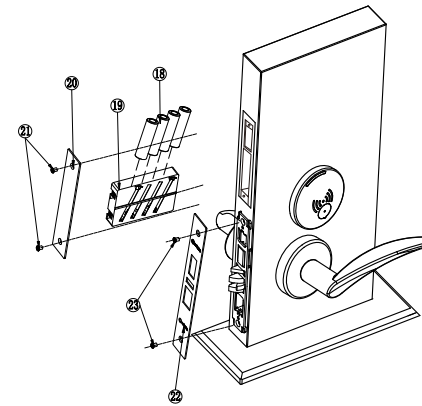
5: Install the rear panel knob assembly



6: Install the rear panel handle assembly and lock it with long screws



7: Insert the battery, install the battery box and side trim panel



8: After the installation, open the key cover on the front panel. Use the key to unlock the door and check whether the handle and double-lock features work properly. If the door does not unlock or the handle or double-lock does not function well, check whether the cylinder, the square shafts of the handle and the deadbolt knob are installed correctly.

9: If no issue is found during the above steps, please use the cards already set up to swipe at the display area of the front panel and check whether the door unlocks.