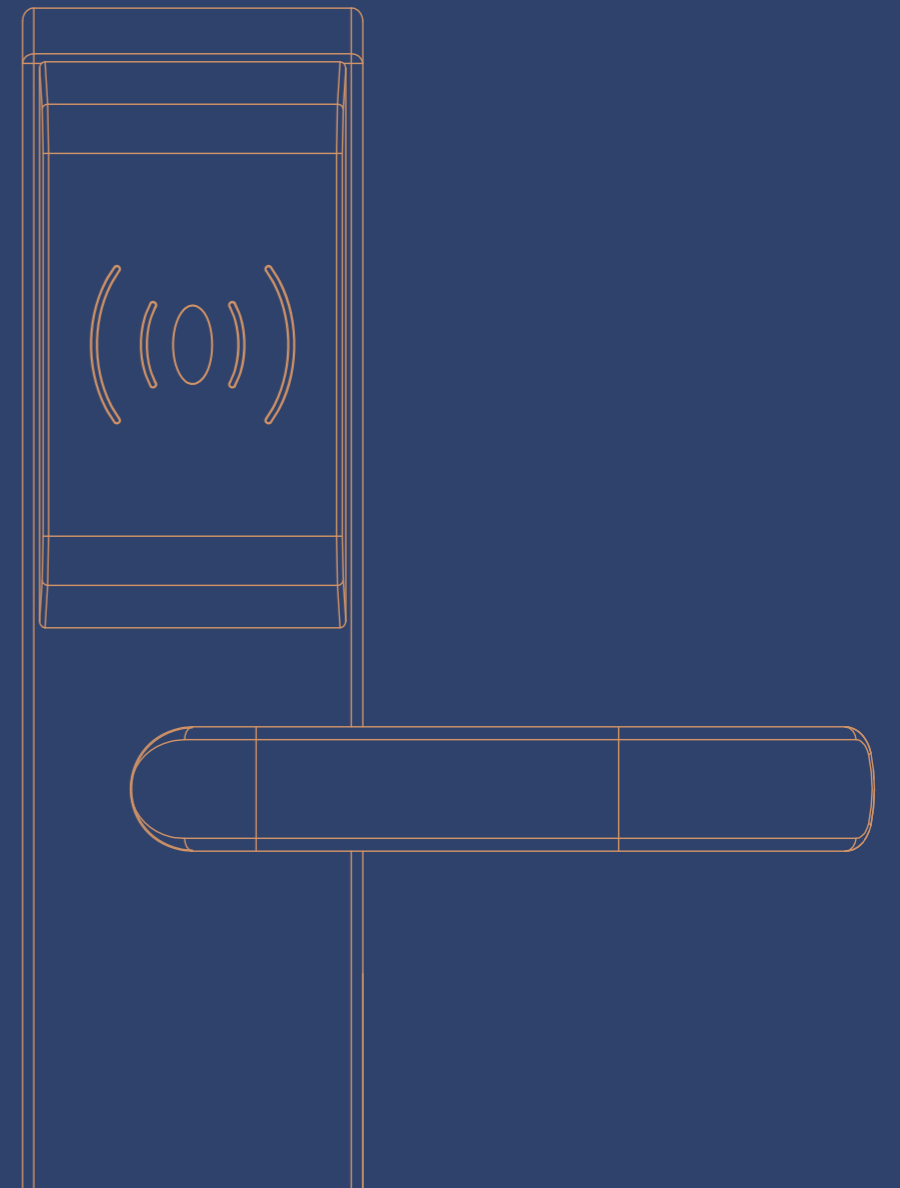


Smart Hotel & Smart Home

Professional Innovative



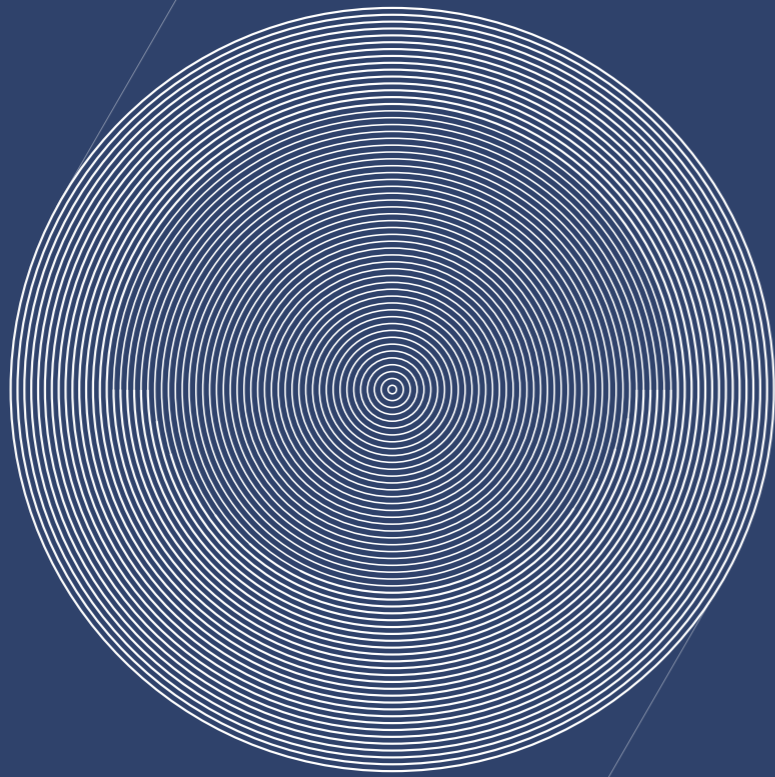
ORBITA USA LLC

Tel:+1(307) 381-9484

E-mail:orbitausa@orbitatech.com

www.orbitausa.com

Professional



Innovative

CONTENTS

06 Hotel Lock Accessories Page 25
07 Hotel Room Safe Page 26
08 Hotel Minibar Page 26
09 References Page 27

01 Company Profile Page 01
02 Company Development Page 03
03 Certificate Page 05
04 Hotel Lock Page 07
05 Smart Lock Page 21



Company Profile

2004

Since 2004
top 3 Chinese brands

20

20 years
experience in the lock industry

46,000

46,000 square meters
Full industry chain production base



Founded in 2004, Orbita Technology Co., Ltd. is one of the largest hotel card lock manufacturers in China.

We have a 46,000 square-meter modern factory and 90% of our products components are made in house. Orbita hotellocks passed the world's most stringent BHMA 800.000 cycling test and 180 minutes UL fire as well as European CE test.

More than 20,000 hotels in 120 countries around the world are using the products of Orbita, and the cooperative international hotel management companies include Hilton, Accor, Marriott, InterContinental, Wyndham, Carlson, Kempinski, etc.

"ORBITA" is also one of the few companies in China that has obtained the official integration certification of Opera hotel management system. Strong research and development capabilities, strong production strength, strict quality management system, and timely and considerate world-wide service constitute the company's core competitiveness.



DEVELOPMENT

HISTORY

2025

2004

- Orbita ShenZhen Established.

2007-2008

- Export value exceeded 2 million US dollars.
- Adapted ERP to better management.

2009-2010

- Product passed En 14846 European standard certification and 200,000 times cycle test.
- Factory adapted ISO9001 / 2008 and established ORBITA Thailand.

2005-2006

- Signed strategic cooperation agreement with Al-Muhaidib and entered Middle East market.
- Products passed CE, FCC.

2011-2012

- ORBITA lock software interfaced with Fidelio Opera PMS system.
- Hotel references exceeded 5000 projects, ORBITA became top 3 Chinese brands in international market.

2013-2014

- Established ORBITA Vietnam, ORBITA Brazil.
- Invested 46000 square-meter garden factory and created the biggest smart lock production capacity in China.

2015-2016

- Established Dubai office, Cambodia office.
- ORBITA ZigBee wireless hotel lock launched, Entered China domestic market.

2017-2018

- Signed agreements with Vienna, Jinjiang Group, Listed as China Hi-Tech Enterprise. GRMS products launched.
- BLE, NB-IOT lock and biometric lock launched.

2019-2020

- Entered Wyndham/Mehood/GSHM hotel group vendor list.
- Established GRMS and Smart home departments.

2021-2022

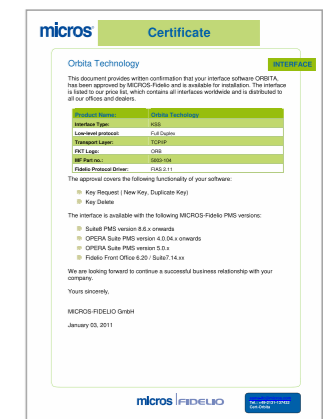
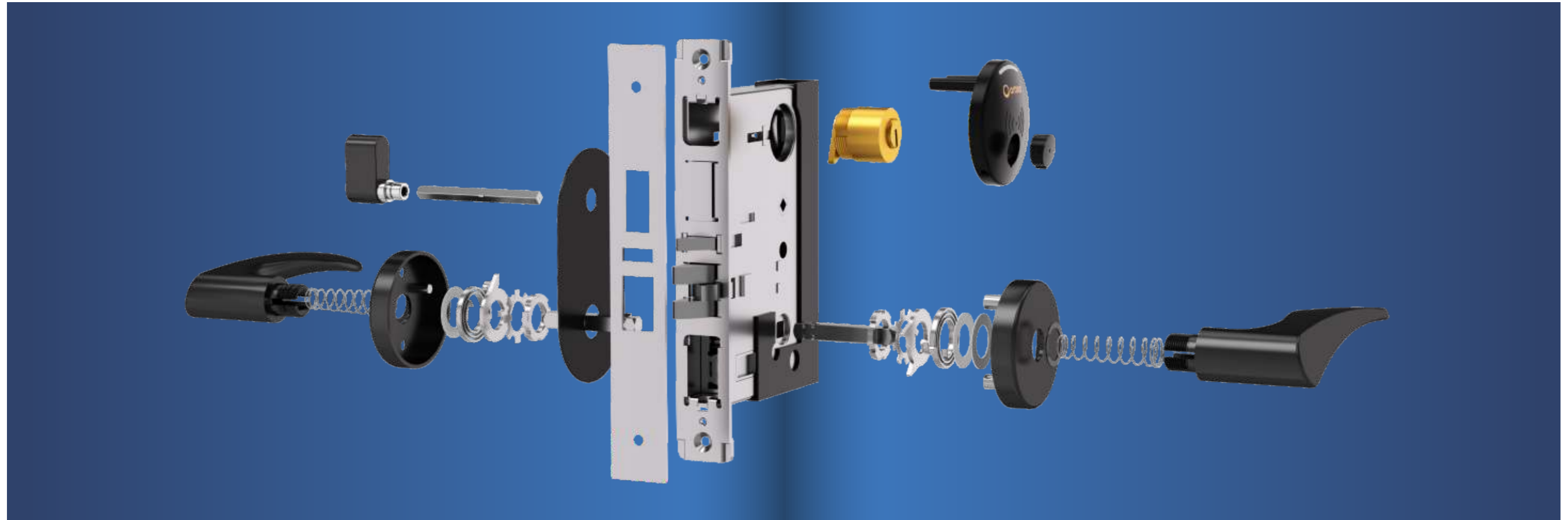
- Started R&D on ORBITA Cloud Ecosphere involving ORBITA commercial and residential products.
- ORBITA renewed CE certificate for full hotel lock and residential lock series tested by Intertek based on En14846 (mechanical & electronic test) and En1634 (fire test).

2023-2024

- Entered Vanke and Jinjiang Group vendor list.
- Ansi hotel lock passed UL test.
- ORBITA USA registered and started operation.

CERTIFICATES

ORBITA products are UL, FCC, RoHS marked and ORBITA is one of the few brands in this industry that passed 800,000 times BHMA standard circling test. Regional standard like SASO, SONCAP, SIRIM are also available with all Orbita products.



ORBITA Hotel lock

304 stainless steel

Stainless steel color lasts more than 10 years

- Support the latest RFID & NFC technology with Mifare 13.56MHz technology;
- Optional Bluetooth & Wireless Online solution, UL fire rated mortise, Moisture & dust proof;
- BHMA (circling test) listed ANSI mortise, Panic release function;
- 304 stainless steel corrosion resistant handle and panels, Hidden mechanical override cylinder;
- Standard 1680 events, optional 3360 events;
- Interface with Opera or FIAS format PMS;
- Operated with 4 standard AA alkaline batteries lasting 12~24 months, Low battery voltage warning;
- Wireless Portable Programmer;
- Room card compatible with hotel lift reader & common access reader for Parking / Swimming Pool/ Sauna Room/ Tennis Court/ Gym etc.



Orbita One Card System

Interface with most of the PMS systems including Opera and FIAS format PMS

Room card operates lift, parking and common access readers

Room card operates Energy savers to manage power

Room card operates Sauna, Fitness center locker lock

Interface with third party readers

Spare unencrypted sections for third party RFID system



RFID



Bluetooth



Zigbee



PMS Partner



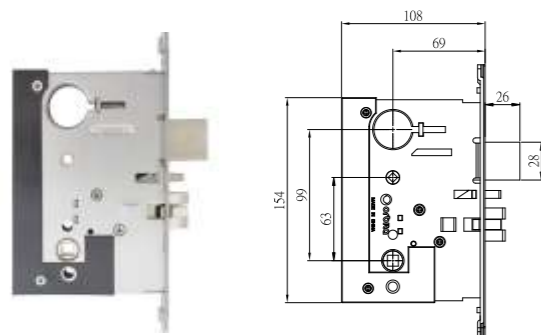
S3479A Hotel Lock



Material:	Stainless Steel, Moisture Proof, Fire Reted
Working Voltage:	DC6V or 4 AA Alkaline batteries
Unlocking record:	1680PCS
Working Temperature:	-20°C~60°C
Dimension of External Panel:	L60*W60*H12mm

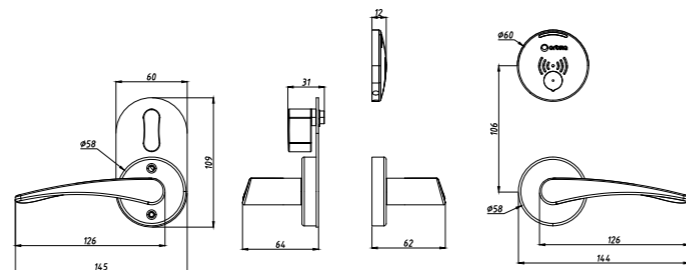
Lock Mortise

Unit:mm

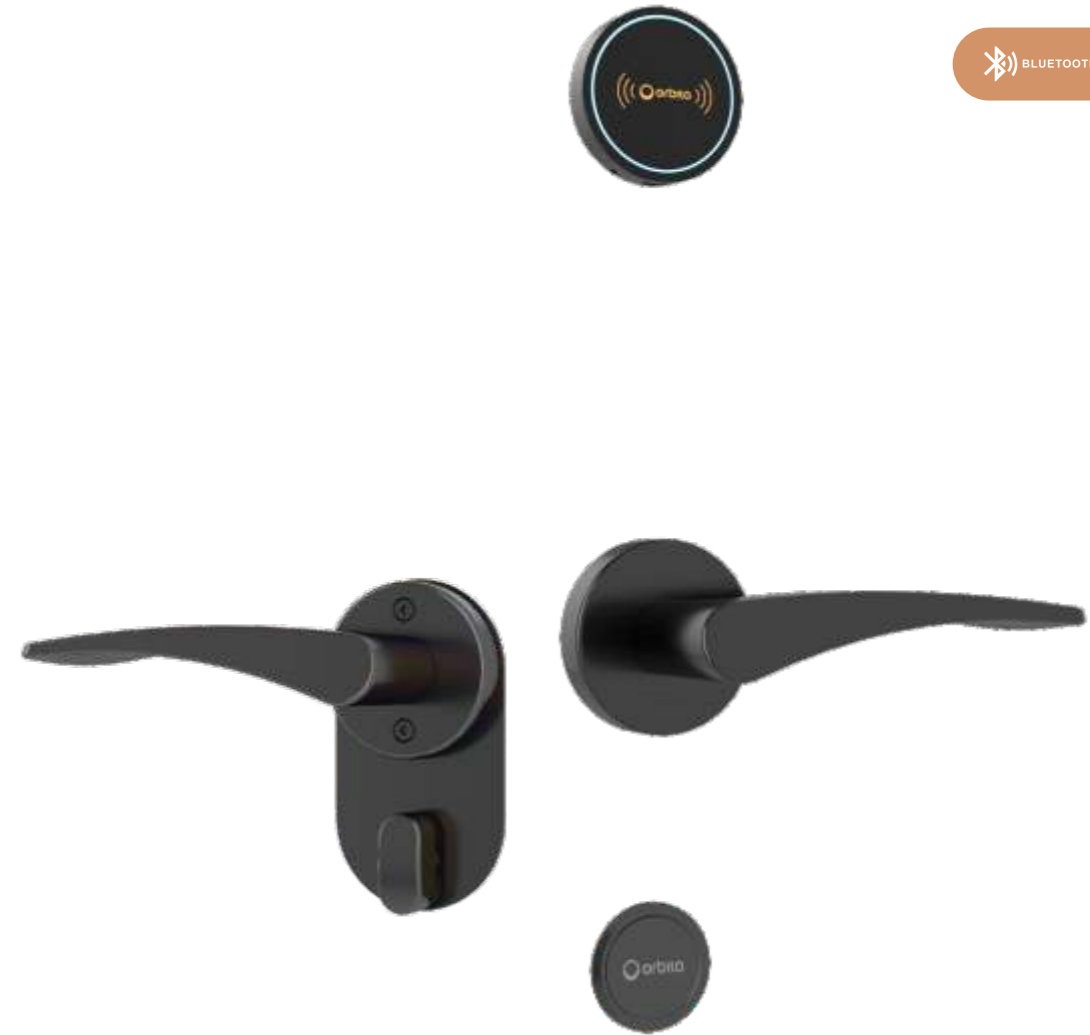


Lock Size

Unit:mm



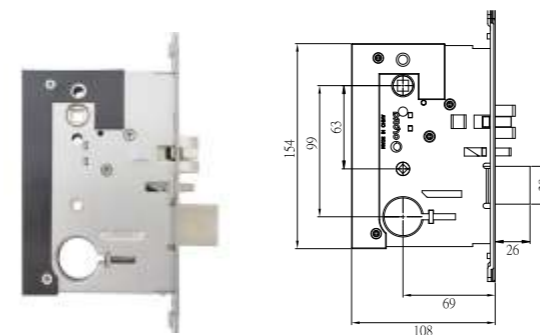
S3474 Hotel Lock



Material:	304 Stainless steel and zinc alloy
Working Voltage:	DC6V or 4 AA Alkaline batteries
Unlocking record:	1680PCS
Working Temperature:	-20°C~60°C
Dimension of External Panel:	L52*W52*H12mm

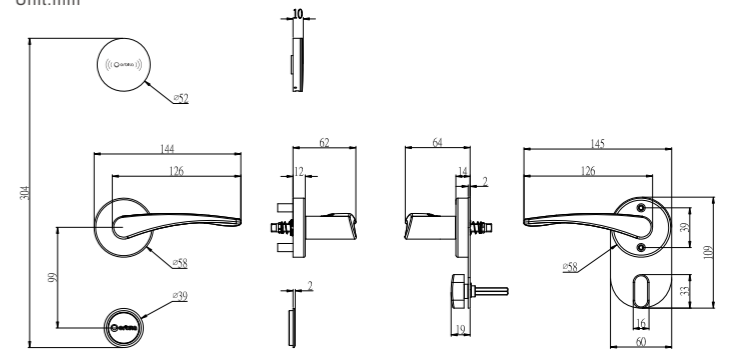
Lock Mortise

Unit:mm



Lock Size

Unit:mm



E3042 Hotel Lock



E3092A Hotel Lock

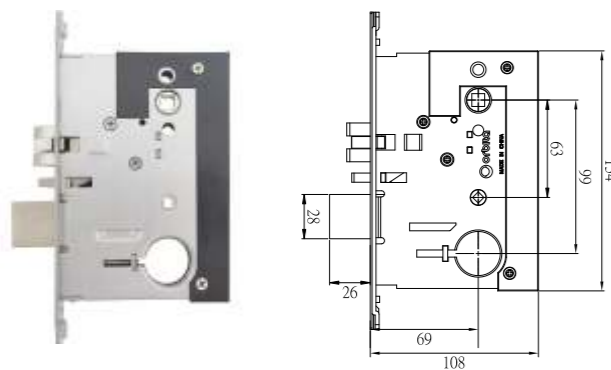


Material:	304 Stainless steel
Working Voltage:	DC6V or 4 AA Alkaline batteries
Unlocking record:	1680PCS
Working Temperature:	-20°C~60°C
Dimension of External Panel:	L290*W60*H15mm

Material:	304 Stainless steel
Working Voltage:	DC6V or 4 AA Alkaline batteries
Unlocking record:	1680PCS
Working Temperature:	-20°C~60°C
Dimension of External Panel:	L295*W76*H17mm

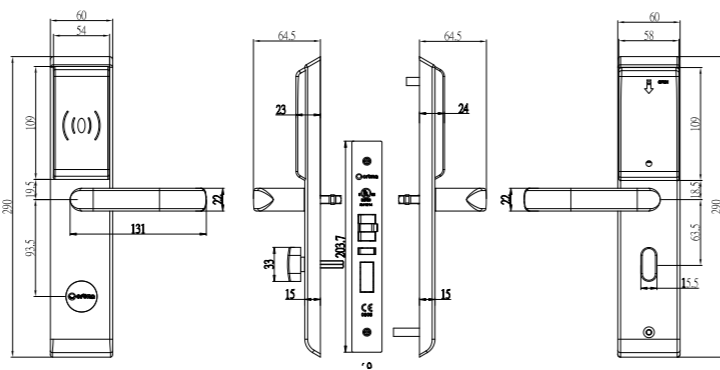
Lock Mortise

Unit:mm



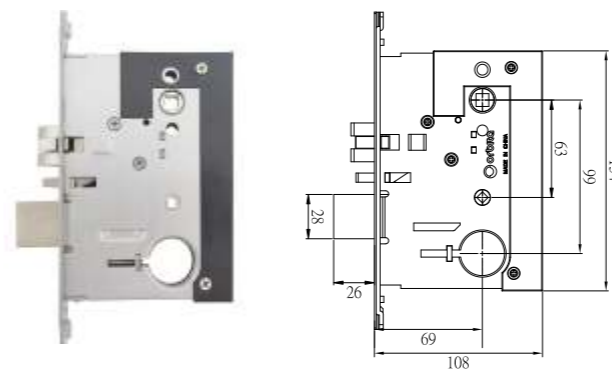
Lock Size

Unit:mm



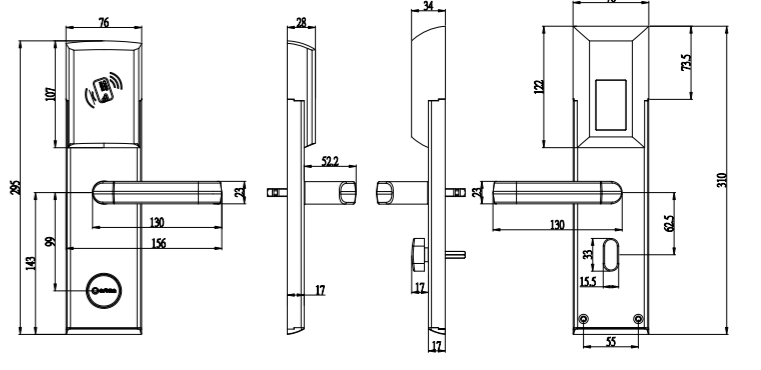
Lock Mortise

Unit:mm



Lock Size

Unit:mm



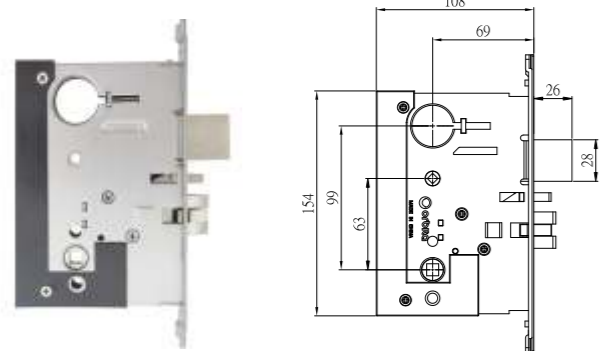
E4041A Hotel Lock



Material:	304 Stainless steel
Working Voltage:	DC6V or 4 AA Alkaline batteries
Unlocking record:	1680PCS
Working Temperature:	-20°C~60°C
Dimension of External Panel:	L285*W75*H16mm

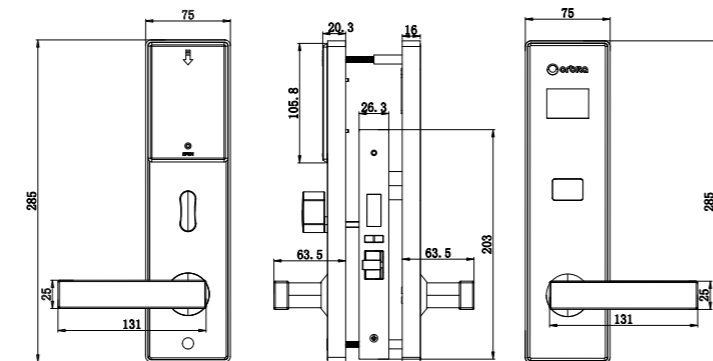
Lock Mortise

Unit:mm



Lock Size

Unit:mm



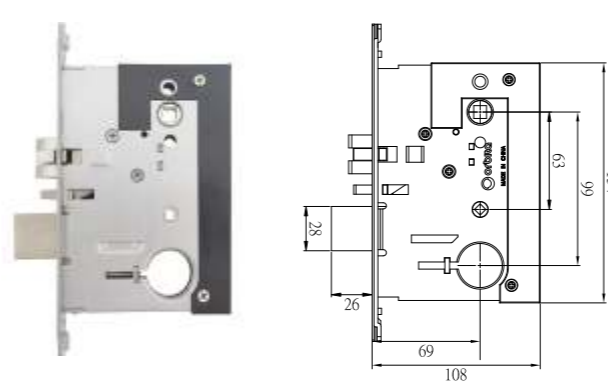
E4031A Hotel Lock



Material:	304 Stainless steel
Working Voltage:	DC6V or 4 AA Alkaline batteries
Unlocking record:	1680PCS
Working Temperature:	-20°C~60°C
Dimension of External Panel:	L280*W75*H22mm

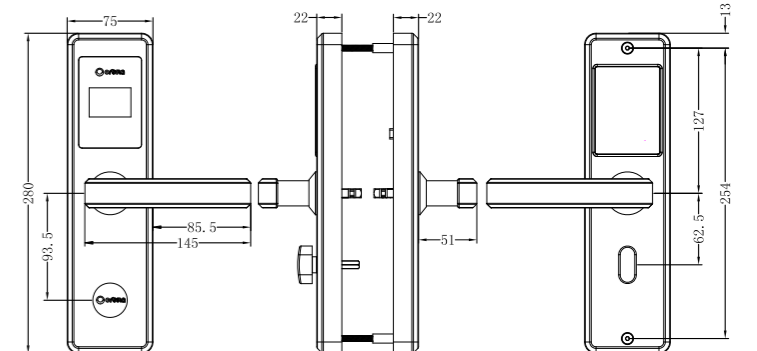
Lock Mortise

Unit:mm



Lock Size

Unit:mm



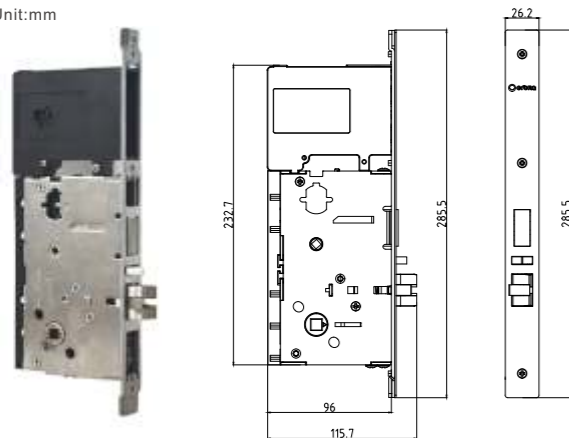
S3076 Hotel Lock



Material:	304 Stainless steel and zinc alloy
Working Voltage:	DC6V or 4 AA Alkaline batteries
Unlocking record:	1680PCS
Working Temperature:	-20°C~60°C
Dimension of External Panel:	L62*W62*H12mm

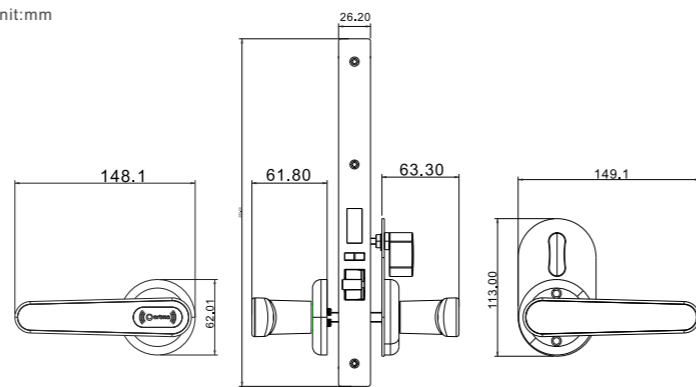
Lock Mortise

Unit:mm



Lock Size

Unit:mm



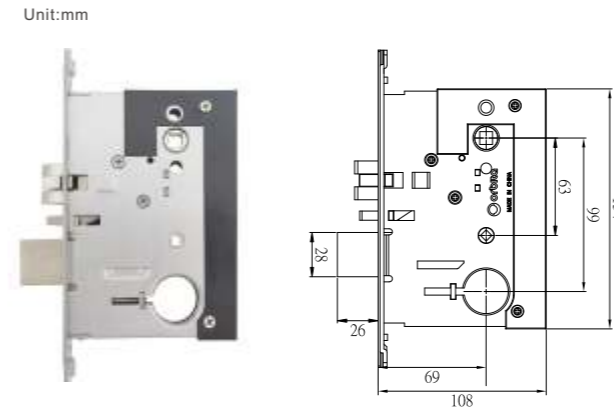
E3093 Smart Lock



Material:	304 Stainless steel
Working Voltage:	DC6V or 4 AA Alkaline batteries
Unlocking record:	1680PCS
Working Temperature:	-20°C~60°C
Dimension of External Panel:	L313*W76*H17mm

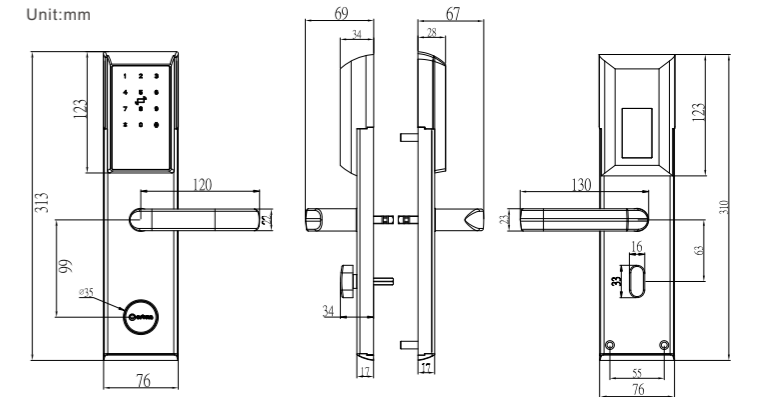
Lock Mortise

Unit:mm



Lock Size

Unit:mm



P7027 Smart Lock

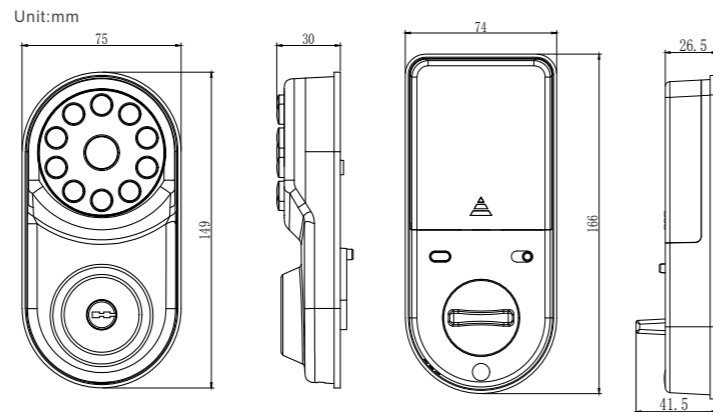


Material:	High Strength Zinc Alloy
Working Voltage:	DC6V or 4 AA Alkaline batteries
Unlocking ways:	Passwords, Mechanical Key and Bluetooth App
Door Thickness:	35-55mm
Dimension of External Panel:	L149*W75*H30mm

Lock Mortise



Lock Size

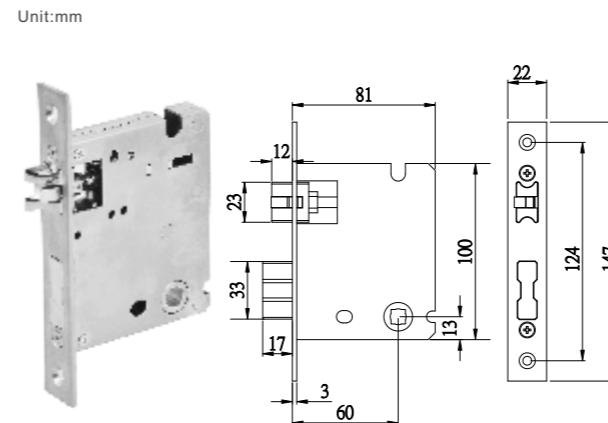


P7023N Smart Lock

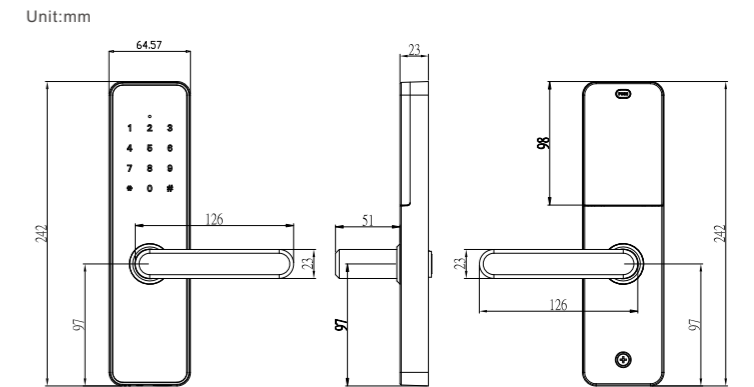


Material:	High Strength Aluminum Alloy
Working Voltage:	DC6V or 4 AA Alkaline batteries
Unlocking ways:	Passwords, Card, Mechanical Key and Bluetooth App (Fingerprint Optional)
Door Thickness:	40-110mm
Dimension of External Panel:	L242*W65*H23mm

Lock Mortise



Lock Size

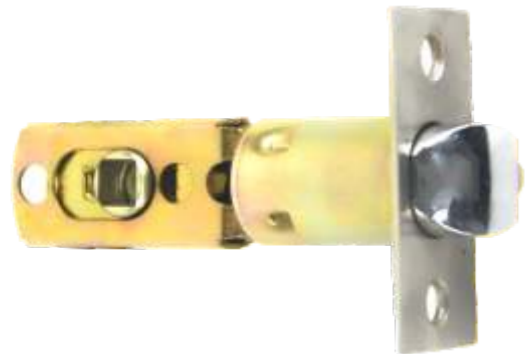


P7024 Smart Lock



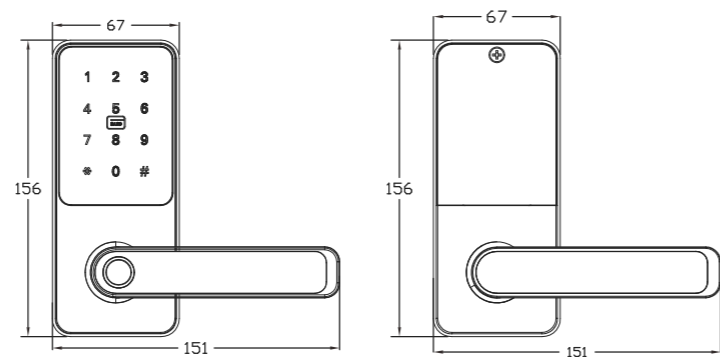
Material:	High quality aluminum alloy
Working Voltage:	DC6V or 4 AA Alkaline batteries
Unlocking ways:	Fingerprint, Passwords, Card, Mechanical Key and Bluetooth App
Door Thickness:	40-110mm
Dimension of External Panel:	L156*W67*H29mm

Lock Mortise



Lock Size

Unit:mm



P7025 Smart Lock



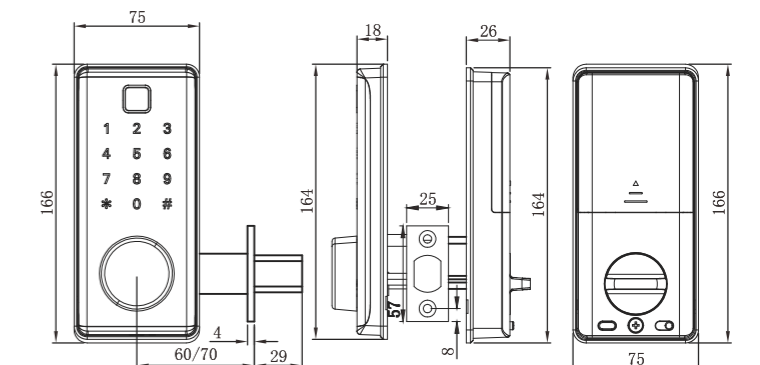
Material:	High Strength Zinc Alloy
Working Voltage:	DC6V or 4 AA Alkaline batteries
Unlocking ways:	Fingerprint, Passwords, Card, Mechanical Key and Bluetooth App
Door Thickness:	35-60mm
Dimension of External Panel:	L166*W75*H18mm

Lock Mortise



Lock Size

Unit:mm



Hotel Lock Accessories



S50 Mifare Card

Customized design:

- Hotel logo, name, picture
- Hotel contact & address
- Lock operation instruction
- Advertisement



MI-ECD20 Mifare Encoder

- Enhanced stainless steel body with enhanced anti-interference function
- USB port communication, driver free
- Encrypted algorithm with illegal cards identification function
- Double confidentiality with logic control



OBT-PP01 Wireless Portable Programmer

Helpful & Convenient

- Program locks
- Update clock
- Read & Download openings records
- Open locks as master card
- Can export 64 locks opening records to computer by USB one time
- Read room number and PCB version No.
- Read battery status
- Can setup lock to be network status (Only for Online type lock system)
- Language: Chinese, English, Spanish available

Dimension of External Panel:	L182*W68*H40mm
Material:	Black Plastic
Support type:	Mifare Smart Door Locks
Working Frequency:	13.56MHZ
Reading distance:	3-10cm
Working Temperature:	-20°C ~60°C

Hotel Safe



Model:OBT-2043MB
Size(mm):W430*H200*D370



Model:OBT-2042MG
Size(mm):W420*H200*D370



Model:OBT-2042MJ
Size(mm):W420*H200*D370



Model:OBT-4135MJ
Size(mm):W410*H150*D350



Model:OBT-4135MG
Size(mm):W410*H150*D350

Hotel Minibar



Model:OBT-40JA Absorption
Size(mm):W400*H560*D430
Packing size(mm):W455*H600*D485



Model:OBT-40CG Absorption
Size(mm):W400*H560*D440
Packing size(mm):W460*H610mm*D480

References

20,000
Projects completed

120
Cuntries Around the world

46,000
m² Production Base

2004
Since



Airport Inn Hotel, Nederland Texas, USA



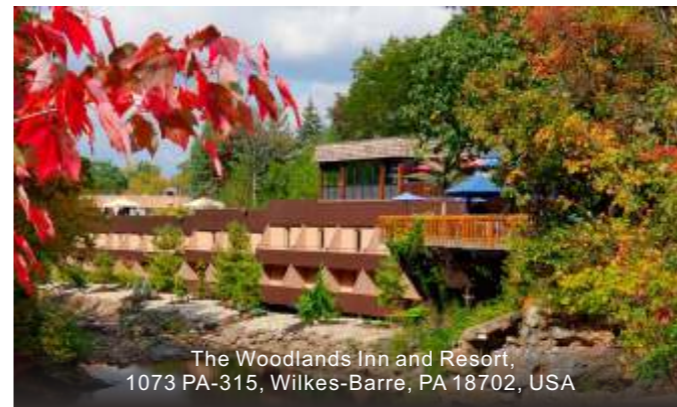
Red Roof Inn, Morgan City, USA



Evergreen Inn & Suites, 3828 NE 82nd Ave, Portland, USA



PARADISO RESORT & SPA, Saipan, USA



The Woodlands Inn and Resort, 1073 PA-315, Wilkes-Barre, PA 18702, USA



The Regency Inn & Suites, 471245 OK-100, Stilwell, OK 74960, USA



Prizer Point Resort & Marina, 1777 Prizer Point Rd. Cadiz, KY 42211, USA



Nohart Apartments, 7621 3rd St N, Oakdale MN 55128, USA



Otonomus Hotel, Las Vegas, USA



Holiday Inn, Missouri, USA



11TH AVENUE HOSTEL, Denver, CO 80203, USA



Kompose Hotel, FL, USA



Isha, TN 37110, USA



Cape Crossing USA



Country Inn & Suites by Radisson, 2541 Little Rock Road, Charlotte, North Carolina 28214, USA



Sleep Inn Airport, 2300 International Ave SE, Albuquerque, NM 87106, USA



Country Inn & Suites by Radisson, 3825 South Expressway 83, Harlingen, Texas USA 78550, USA



Country Inn & Suites by Radisson, 14620 North IH 35, Austin, TX 78728, USA



Best Western Riverside Inn, 57 S Gilbert Street Danville, Illinois 61832, USA



Quality Inn Victorville CA, 92394, USA



Cape Crossing Resort & Marina, 201 Ivory Coral Ln, Merritt Island, FL 32953, USA



Studio 109, 109 N 12th St 8th Floor, Brooklyn, NY 11249, USA